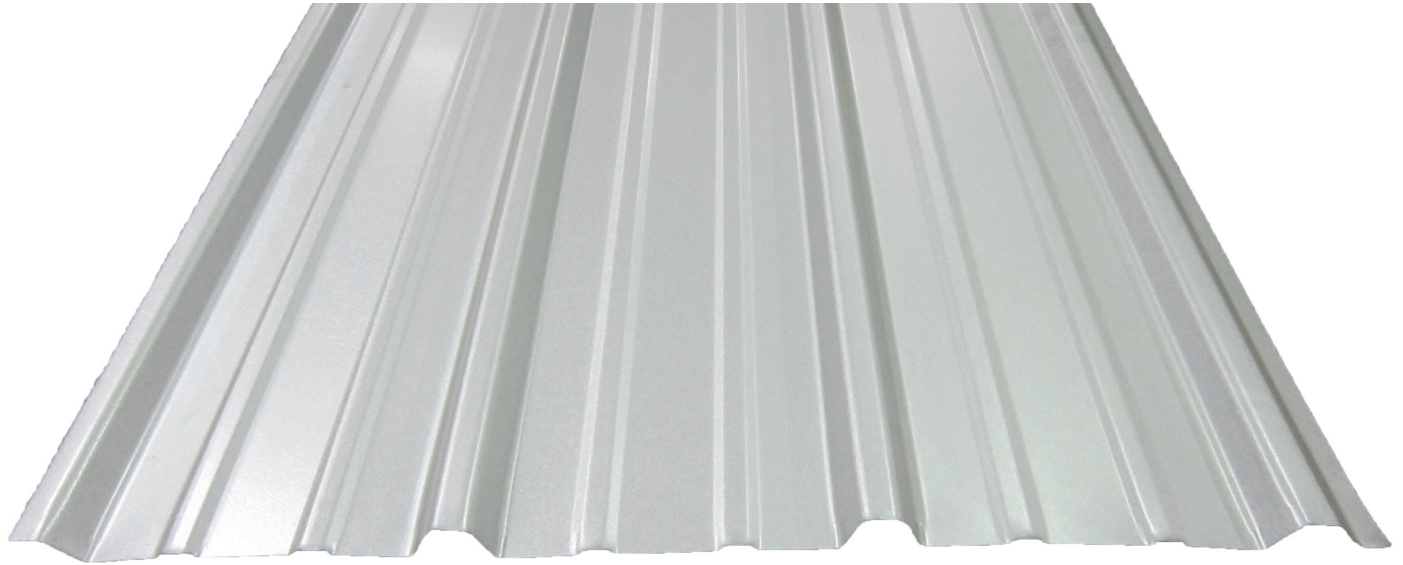
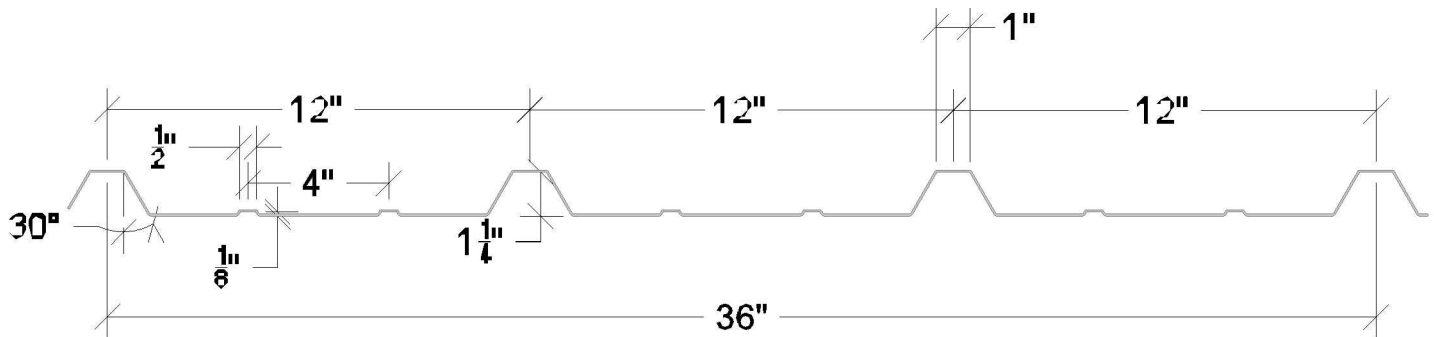


NS 1236 ROLL FORMED SHEETING

24 Gauge & 26 Gauge



This versatile panel can be used for many applications: it is a roof panel that can also be used for exterior walls. If a stronger liner is needed, this is the panel to use. The stock colour is galvalume but it can be ordered in any standard colour.



TECHNICAL SPECIFICATIONS

Maximum Uniformly Distributed Specified Load (psf)

Spacing		1 - Span		2 - Span		3 - Span	
		26 Ga.	24 Ga.	26 Ga.	24 Ga.	26 Ga.	24 Ga.
3'-0"	Ws	91	133	71	111	89	139
	L/240	**		**	**	**	**
3'-6"	Ws	67	98	52	82	65	102
	L/240	64	92	**	**	**	**
4'-0"	Ws	51	75	40	63	50	78
	L/240	43	61	**	**	**	**
4'-6"	Ws	40	59	32	49	40	62
	L/240	30	43	**	**	**	**
5'-0"	Ws	33	48	26	40	32	50
	L/240	22	31	**	**	**	**
5'-6"	Ws	27	40	21	33	26	41
	L/240	17	24	**	**	**	**
6'-0"	Ws	23	33	18	28	22	34
	L/240	12	18	**	**	**	34

Section Properties of Roof Cladding

			Section Modulus		Moment of Inertia		Factored Resistance			
							Moment		Web Crippling	
Gauge	Thickness (in)	Fy (Ksi)	Midspan (in ³)	Support (in ³)	Midspan (in ⁴)	Support (in ⁴)	Midspan (ft-kip)	Support (ft-kip)	End (lbs)	Interior (lbs)
26	0.0179	50	0.041	0.032	0.042	0.022	0.15	0.12	547	889
24	0.0239	50	0.06	0.05	0.06	0.033	0.23	0.19	820	1224

Notes:

- Properties and loads were developed in accordance with CSA Specification S136-01 - North American Specification for the Design of Cold-Formed Steel Structural Members Latest Edition
- Properties and loads are based on Grade 50 steel with a minimum yield stress of 50 ksi.
- All properties are based on one linear foot of panel width.
- Load tables were developed in accordance with Limit State Design.
- Figures in row "Ws" should be checked against (Specified Live Load + 0.833xSpecified Dead Load).
- Deck is not designed to carry concentrated load.
- All spans are assumed equal.
- An * indicates a reduction in capacity to account for web crippling.
- Factored web crippling load were determined using a bearing width of 1.25" minimum.
- Figures in row "L/240" are load values based on 1/240th of span. The "***" indicates that strength load governs.



NU-STEEL
IND. (2008) LTD.

Box 1416
Winkler MB, Canada
R6W 4B4
nusteel@mts.net

p 204.325.4368
f 204.325.5500