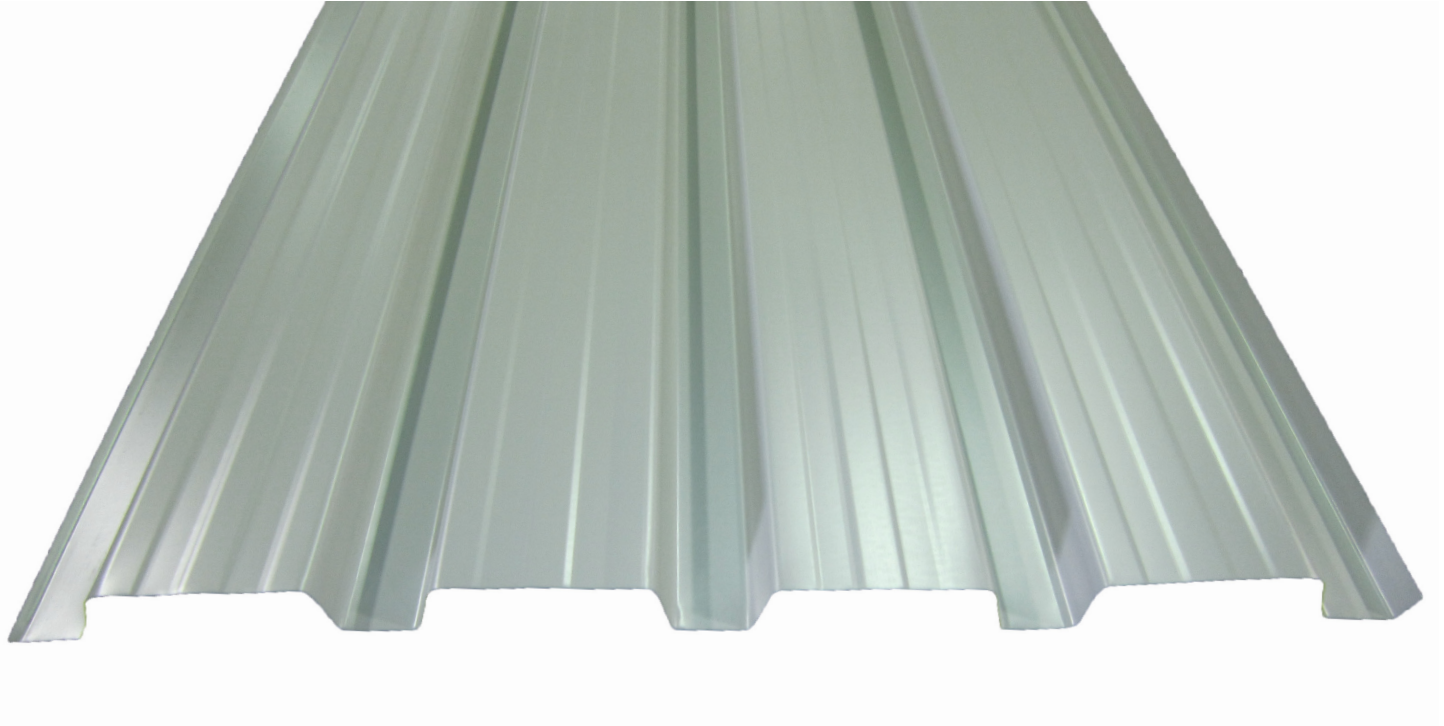
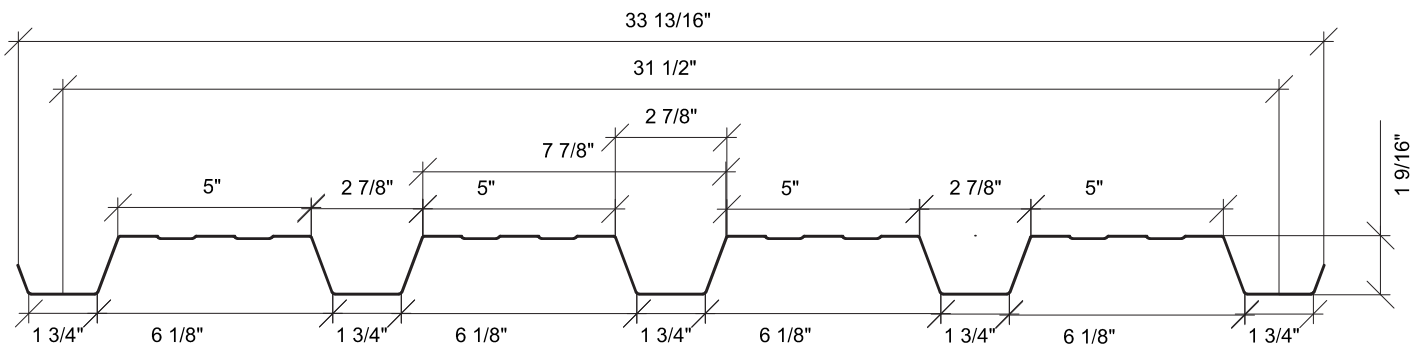


NS 800mm METAL WALL CLADDING

24 Gauge & 26 Gauge



Standard exterior wall cladding cut to length at the factory for ease of installation. Comes in a variety of colours.



TECHNICAL SPECIFICATIONS

Maximum Uniformly Distributed Specified Load (psf)

Spacing		1 - Span		2 - Span		3 - Span	
		26 Ga.	24 Ga.	26 Ga.	24 Ga.	26 Ga.	24 Ga.
3'-0"	Ws	153	222	162	228*	188*	259*
	L/240	148	211	**	**	**	**
3'-6"	Ws	113	163	119	180	149	222*
	L/240	93	133	**	**	**	**
4'-0"	Ws	86	125	91	138	114	172
	L/240	62	89	**	**	**	168
4'-6"	Ws	68	99	72	109	90	136
	L/240	44	62	**	**	83	118
5'-0"	Ws	55	80	58	88	73	110
	L/240	32	46	**	**	60	86
5'-6"	Ws	46	66	48	73	60	91
	L/240	24	34	**	**	45	65
6'-0"	Ws	38	56	40	61	51	76
	L/240	18	26	**	**	35	50

Section Properties of Wall Cladding

			Section Modulus		Moment of Inertia		Factored Resistance			
							Moment		Web Crippling	
Gauge	Thickness (in)	Fy (Ksi)	Midspan (in ³)	Support (in ³)	Midspan (in ⁴)	Support (in ⁴)	Midspan (ft-kip)	Support (ft-kip)	End (lbs)	Interior (lbs)
26	0.0179	50	0.069	0.073	0.061	0.078	0.26	0.27	532	930
24	0.0239	50	0.1	0.11	0.087	0.115	0.38	0.41	809	1280

Notes:

1. Properties and loads were developed in accordance with CSA Specification S136-01 - North American Specification for the Design of Cold-Formed Steel Structural Members Latest Edition
2. Properties and loads are based on Grade 50 steel with a minimum yield stress of 50 ksi.
3. All properties are based on one linear foot of panel width.
4. Load tables were developed in accordance with Limit State Design.
5. Figures in row "Ws" should be checked against (Specified Live Load + 0.833xSpecified Dead Load).
6. Deck is not designed to carry concentrated load.
7. All spans are assumed equal.
8. An * indicates a reduction in capacity to account for web crippling.
9. Factored web crippling load were determined using a bearing width of 1.25" minimum.
10. Figures in row "L/240" are load values based on 1/240th of span. The "***" indicates that strength load governs.



NU-STEEL
IND. (2008) LTD.

Box 1416
Winkler MB, Canada
R6W 4B4
nusteel@mts.net

p 204.325.4368
f 204.325.5500